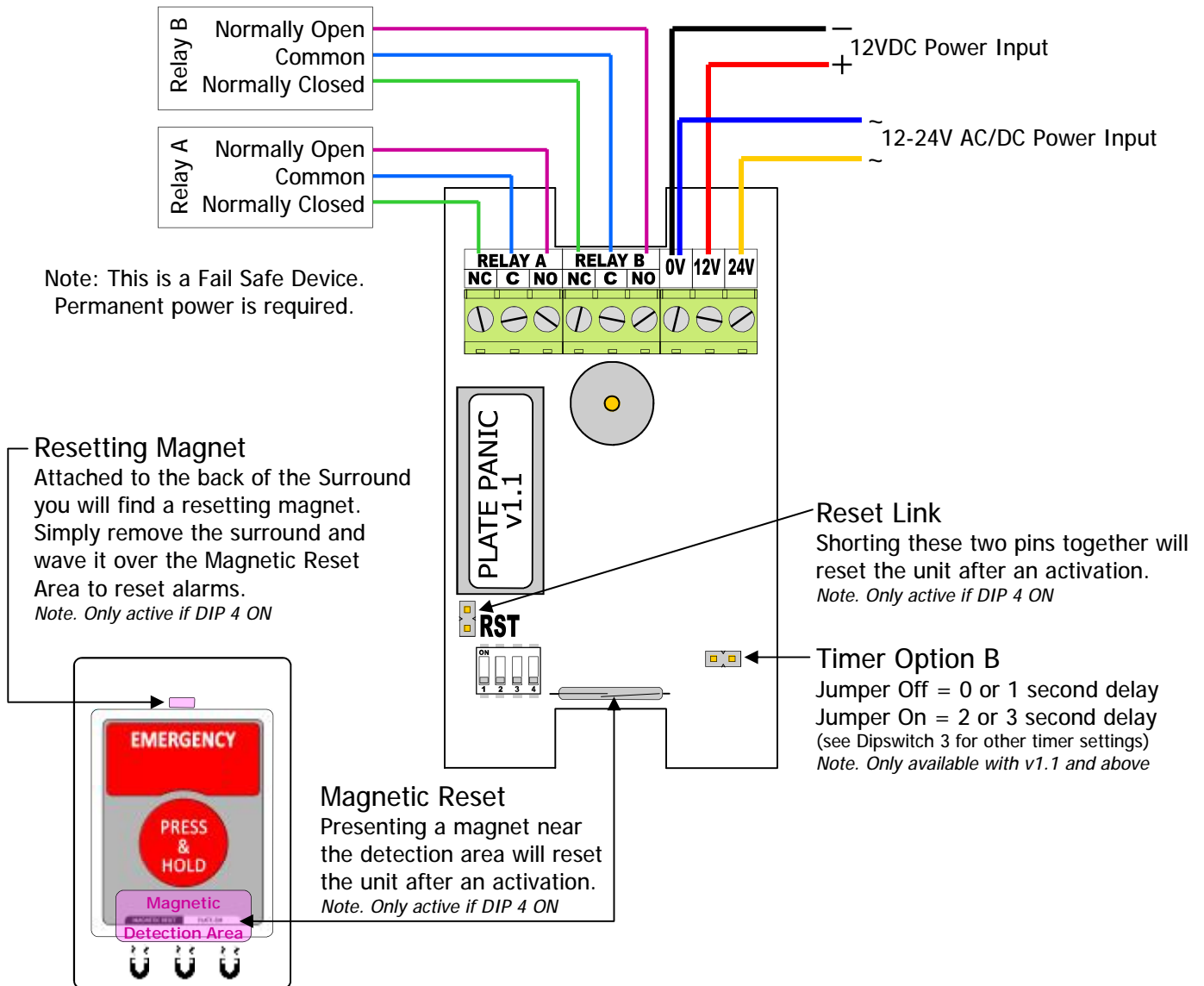


# PLATE PANIC



Dipswitch Positions		
	1 + 2 OFF	<b>Continuous Buzzer</b> When activated the buzzer will sound until reset
	1 ON, 2 OFF	<b>Auto Resetting Buzzer</b> When activated, buzzer will sound for 5 seconds
	1 OFF, 2 ON	<b>Pulsed Buzzer</b> When activated the buzzer will pulse until reset
	1 + 2 ON	<b>Buzzer is Disabled</b> No sound
	3 OFF	<b>0 or 2 second delay</b> Sets delay time before Activation
	3 ON	<b>1 or 3 second delay</b> (see Timer Option B) Sets delay time before Activation
	4 OFF	<b>Auto Reset</b> Activations will reset automatically after 2 seconds
	4 ON	<b>Latching</b> Activations require manual resetting

## Calibration:

When the device is powered up it will automatically adjust to its environment, this may take up to 20 seconds. So for best results, fit the Plate to the wall before applying power.

## Specifications:

### Voltage

12V Input: 10-15V DC only  
24V Input: 12-24V AC or DC

### Current Max.

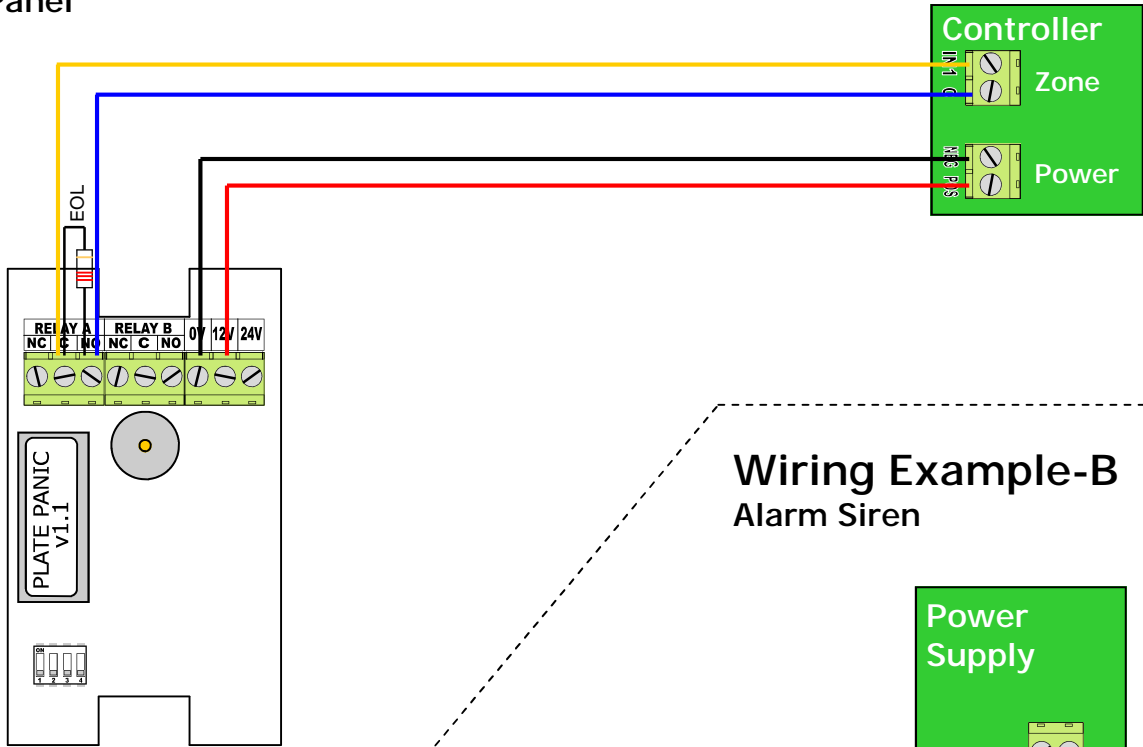
50mA Standby  
15mA Activation

### Relay Contacts

Relay A: 5A, 30VDC  
Relay B: 5A, 30VDC

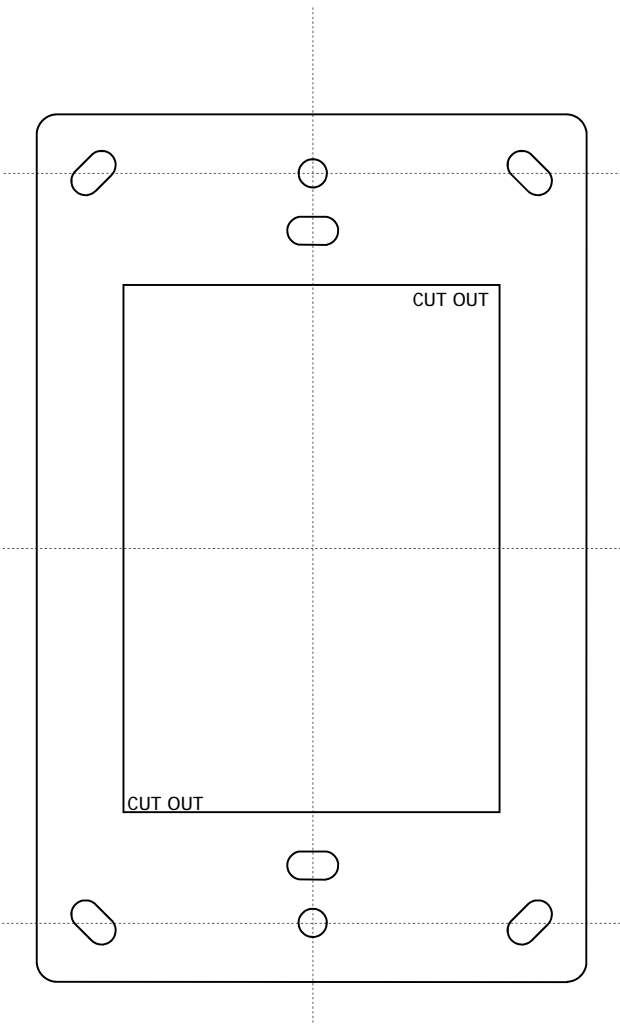
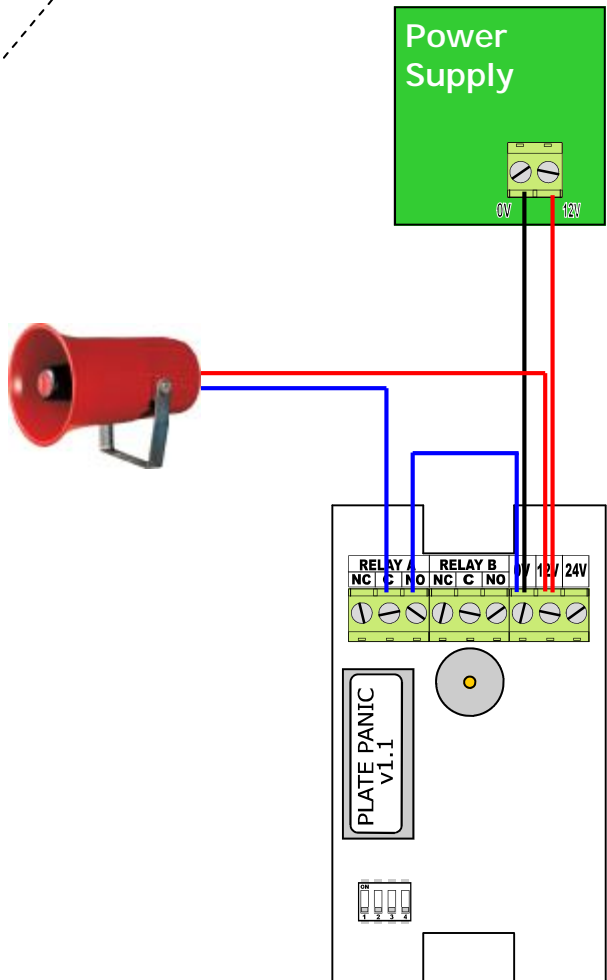
# Wiring Example-A

## Control Panel



# Wiring Example-B

## Alarm Siren



ARROWHEAD ALARM PRODUCTS Ltd.  
 344b Rosedale Rd,  
 Albany,  
 Auckland.  
 Ph. 09 414 0085  
 Fax. 09 414 0088  
[www.aap.co.nz](http://www.aap.co.nz)  
 v1.1

